

PRODUCT SPECIFICATION 产品规格书

ENC2170W

Smart Wall-Hung Toilet

挂墙式智能一体机



(Rough-in Dimensions):

安装尺寸图:

(Unit): mm

单位: 毫米

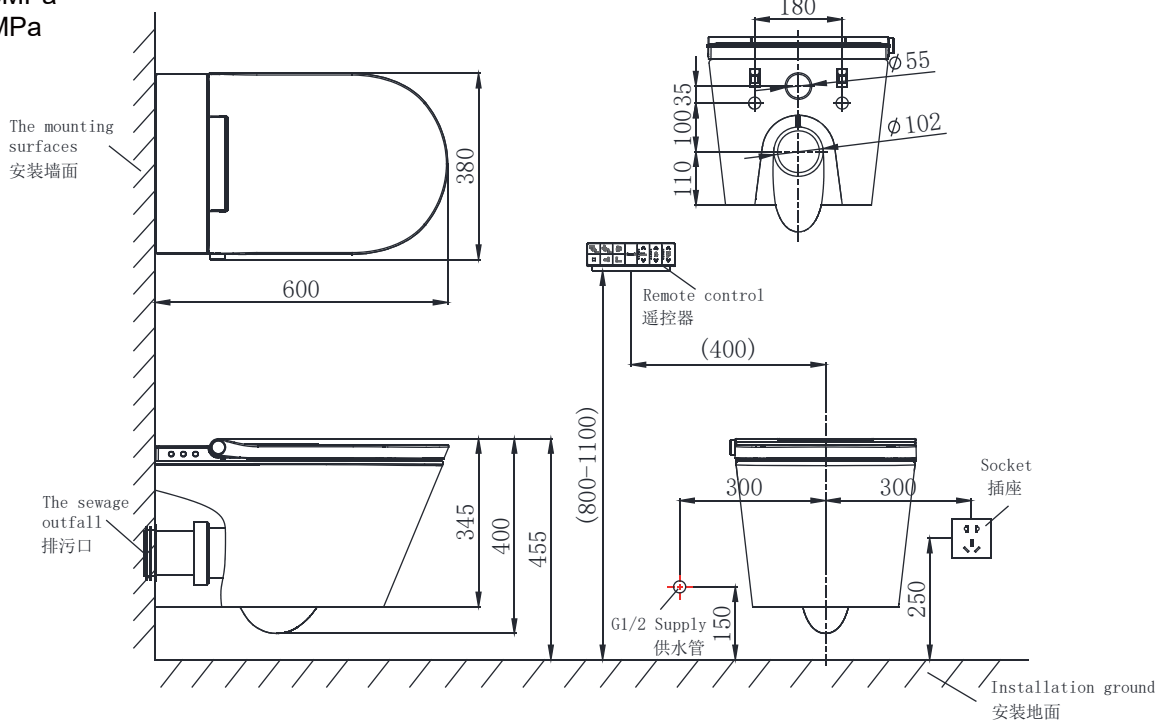
600X380X400mm

Pressure range: 0.1-0.5MPa

水压范围: 0.1-0.5MPa

Best to use: 0.3MPa

最优水压: 0.3MPa



Item No. 品号	ENC2170W
Available Color 颜色	White 白色
Materials 材质	Vitreous China 陶瓷
Flush System 冲水系统	Wash Down 直冲
Flush Amount 冲水量	Adjustable Dual Flush: 3/4.5L, 3/6L 可调双冲水: 3/4.5L, 3/6L
Seat & Cover 盖板	PP Soft Closing PP缓降盖板
Shipping Package 运输包装	长(L) 720 X宽(W) 450 X高(H) 515 mm, 毛重(G.W): 45 kg

备注: 搭配隐藏式水箱NCD15, 电压: 220V/50Hz。功能介绍: 臀洗、妇洗、按摩清洗、水温可调、水压可调、位置可调、喷头自洁、夜灯、座圈加热、停电可冲水、烘干、除臭、带遥控器。

Remarks: With in-Wall tank system NCD15 ,Voltage: 220V / 50Hz.Function intro: Hip wash / Bidets / Massage / Water temperature regulation / Water pressure regulation / Position regulation / Nozzle self cleaning / Night light / Seat temp / No power flushing / Dry / Deodorization / Remote control .

INNOCI reserves the right to make changes or modifications on any of its products without advance notice.

INNOCI 艺耐公司保留不事先通知便改变或修改的权利

innoci[®]

Innoci Sanitary ware Co.,Ltd
www.innoci.com

Version:A0
版本:A0